

CM2 ■ Adjustable LCD Ceiling Mount 26"-55"



Features

- 1 **TELESCOPIC MOUNT**
adjustable height, turn and tilt
- 2 **COMPATIBILITY**
LWB, PWB, TWB series component
- 3 **MAXIMUM LOAD CAPACITY:**
80 Kg
- 4 **CABLE ORGANISER**



Technical Data



100x100 mm
200x100 mm
200x200 mm
300x300 mm
400x200 mm
400x400 mm
600x400 mm
800x200 mm
800x400 mm



80 Kg



90°/-90°



min. 1775 mm
max. 2575 mm



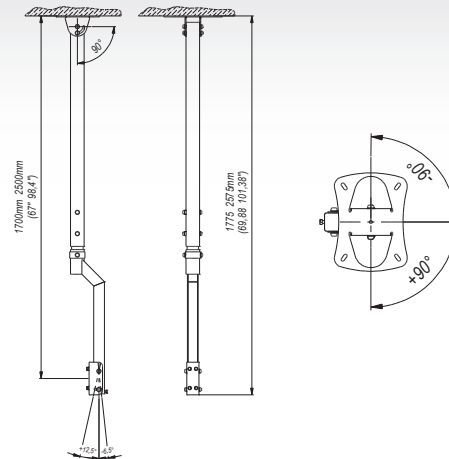
26"-55"



12,5°/-6,5°



min. 50x75 mm
max. 850x460 mm



Accessories

LWB1/PWB1/TWB1



CMA1



Trade Information

Index	Colour	Package	EAN
CM2c-B	■	■	5908252961337
CM2s-B	■	■	5908252961344

Package Dimensions [mm] (H x W x D)	1310x210x210
Weight [Kg]	15